

FEIDER
MACHINES

Original Instructions
Ash Vacuum
FHVC1015



BUILDER SAS

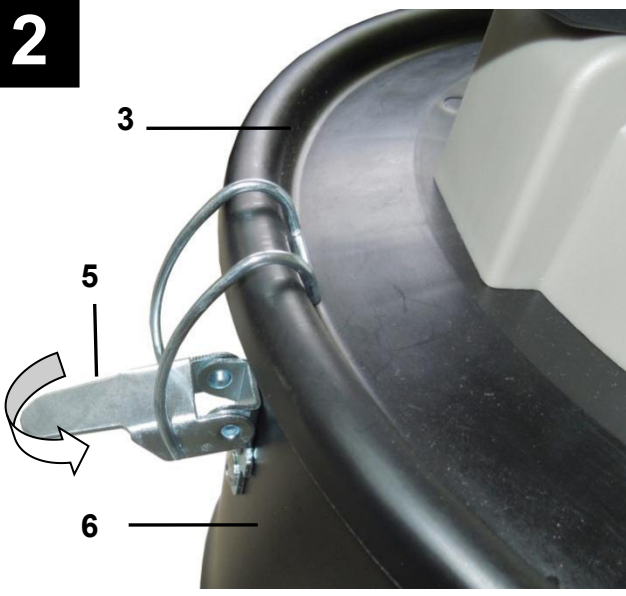


32 Rue Aristide Bergès, 31270 CUGNAUX - FRANCE

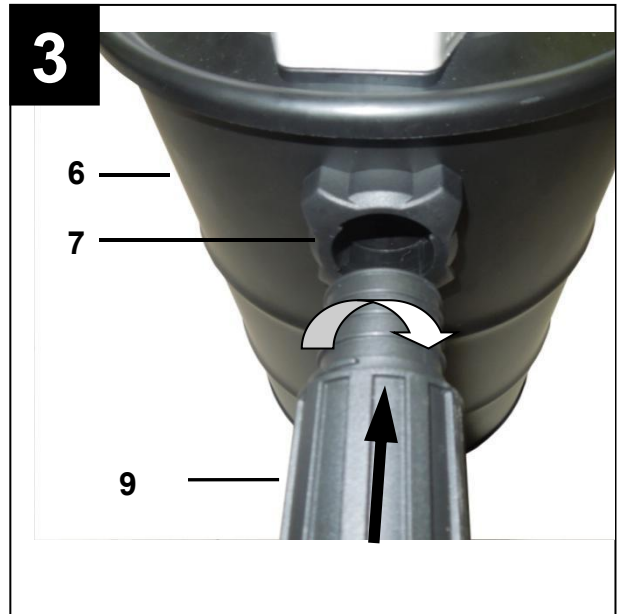
1

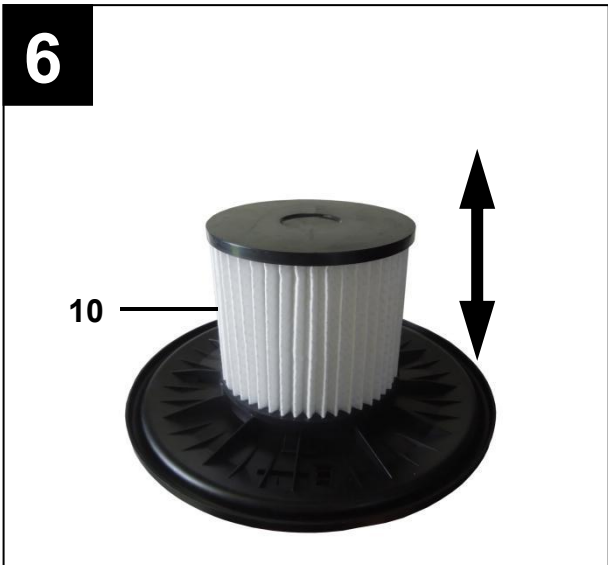
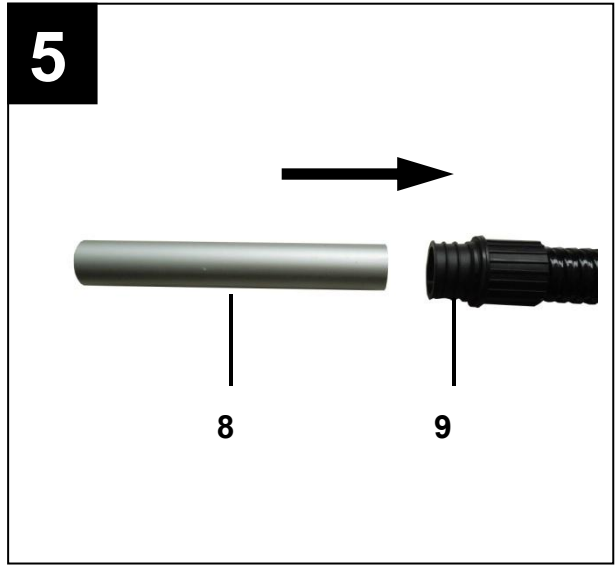
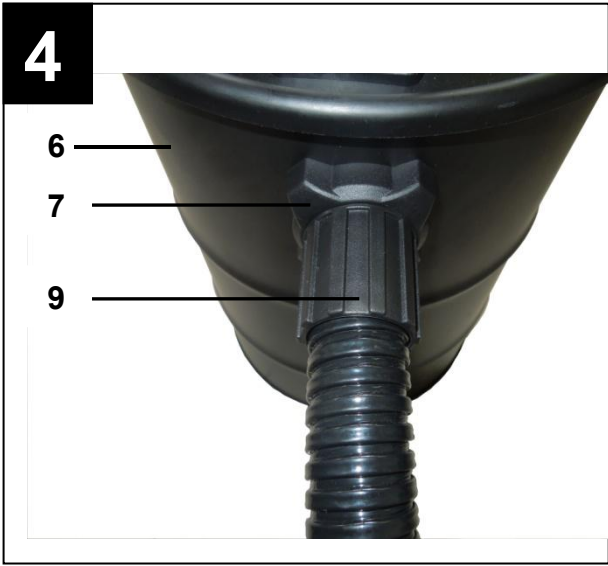


2



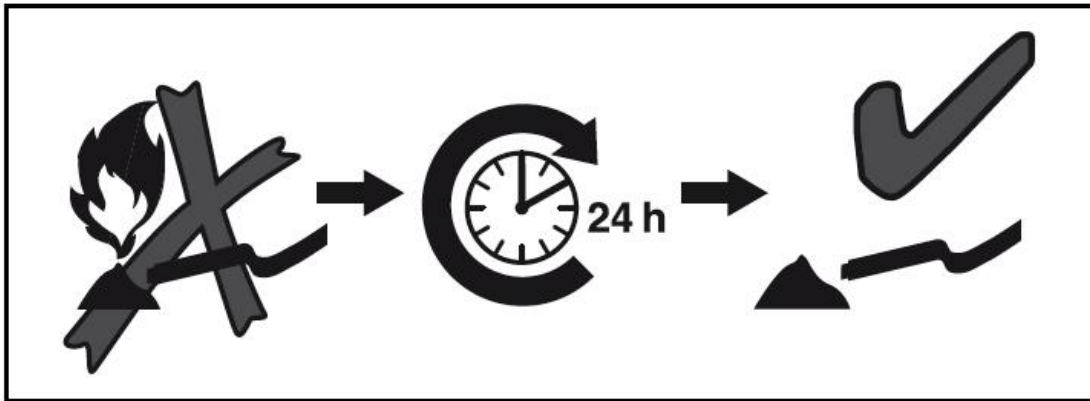
3







“Caution - Read the operating instructions to reduce the risk of injury”



Wait at least 24 hours before vacuuming an oven or a fireplace in order to be sure that the fire has gone out and the ash has cooled down. Only for cold ash, see the operating instructions!



Important!

When using the appliance, a few safety precautions must be observed to avoid injuries and damage. Please read the complete operating instructions with due care. Keep this manual in a safe place, so that the information is available at all times. If you give the appliance to any other person, hand over these operating instructions as well.

We cannot accept any liability for damage or accidents which arise due to a failure to follow these instructions and the safety instructions.

1. Safety regulations



CAUTION

Read all safety regulations and instructions. Any failures made in following the safety regulations and instructions may result in an electric shock, fire and/or serious injury.

Keep all safety regulations and instructions in a safe place for future use.

This appliance can be used by children aged from 8 years and above and persons with reduced physical, sensory or mental capabilities or lack of experience and knowledge if they have been given supervision or instruction concerning use of the appliance in a safe way and understand the hazards involved. Children shall not play with the appliance. Cleaning and user maintenance shall not be made by children without supervision.

- Important: Read the operating instructions before assembling and using the appliance for the first time.
- Check that the mains voltage is the same as the mains voltage specified on the rating plate.
- Pull out the power plug in the following circumstances: Whenever the appliance is not in use, before opening the appliance and before all cleaning and maintenance work.
- Never clean the appliance with solvents.
- Never pull the plug out of the socket by pulling the cable.
- Never leave the appliance unattended when operational.
- Keep away from children.
- Take care to ensure that the power cable does not get damaged by being run over, crushed, pulled or suchlike.
- Do not use the machine if the power cable is in a less than perfect condition.
- If the power cable has to be replaced, the replacement must comply with the design specifications of the manufacturer. Power cable: H 05 VV - F 2 x 0,75 mm²
- Never vacuum the following: Burning matches, smoldering ash and cigarette butts, combustible, caustic, inflammable or explosive substances, vapour or liquids.
- This appliance is not suitable for vacuuming dust which can be harmful to health.
- Store the appliance in a dry indoor location.
- Never use the appliance if it is damaged.
- Only allow the appliance to be serviced by an authorized customer service center.

- Only use the appliance to carry out work for which has been designed.
- Use only genuine accessories and spare parts.
- The guidelines in the operating instructions must be observed. The safety and accident-prevention regulations from the lawgiver are also to be observed.
- **Important!** Hazardous material must not be extracted with the ash filter.
- Do not extract ashes from prohibited fuels.
- Do not use the ash filter to extract hot, glowing or inflammable objects (e.g. charcoal, cigarettes ...).
- **Important.** The ash vacuum cleaner is not suitable for vacuuming soot or fine dust.
- **Important!** The extracted material must not exceed a temperature of 40°C.
- **Important!** If this temperature of the extracted material exceeds 40°C, there is a risk of fire.
- **Important!** If the permissible temperature is exceeded, the extractor, the ash filter and the hoses could be damaged.
- **Important!** Extracted material which looks as though it has cooled off on the outside may still be hot on the inside. Hot extracted material could be set alight again in the air current.
- Before beginning extraction, please wait until the material is completely cooled off. Hot ashes should not be purged with water, as the sudden temperature difference can cause ruptures to the chimney.
- Wait at least 24 hours before vacuuming an oven or a fireplace in order to be sure that the fire has gone out and the ash has cooled down.
- Check the hoses, the ash filter and the extractor regularly when extracting, to assess levels of heating.
- If the appliance heats up, switch it off, pull the mains plug out and remove the filter bag immediately. Separate the ash filter from the extractor and remove the extracted material. Next, let the extractor and the ash filter cool off outside, under supervision.
- **If the supply cord is damaged, it must be replaced by the manufacturer, its service agent or similarly qualified persons in order to avoid a hazard.**
- Cold ash is ash which has cooled for a sufficiently long time and no longer contains any glowing embers. This can be checked by combing through the ash with a metal object before you use the ash vacuum cleaner. Cold ash no longer radiates any perceivable heat.
- After and before vacuum cleaning, empty and clean the tank in order to prevent the accumulation of materials which could present a fire hazard in the vacuum cleaner.
- **The plug must be removed from the socket-outlet before cleaning or maintaining the appliance.**

2. Layout and items supplied

- 1 Handle
- 2 On/Off switch
- 3 Appliance head
- 4 Filling level indicator

- 5 Locking hook
- 6 Tank
- 7 Suction hose connector
- 8 Suction tube
- 9 Flexible hose
- 10 Cartridge filter
- 11 Blow connector

3. Intended use

The ash vacuum cleaner is suitable for vacuuming cold ash or cold material residues from fireplaces, charcoal ovens, ash-trays or barbecues.

The machine is to be used only for its prescribed purpose. Any other use is deemed to be a case of misuse. The user/operator - not the manufacturer - will be liable for any damage or injuries caused as a result thereof.

Please note that our appliance has not been designed for use in commercial, trade or industrial applications. Our warranty will be voided if the appliance is used in commercial, trade or industrial businesses or for equivalent purposes.

4. Technical data

Mains voltage: 230V~ 50/60Hz

Model	Power input:	Tank volume:	Weight:
FHVC1015	1000W	15 L	3.00kgs

5. Before starting the appliance



Important!

- Before you connect the appliance to the mains supply make sure that the data on the rating plate are identical to the mains data.
- The appliance may only be connected to a shockproof socket.

5.1 Assembling the appliance

Fitting the appliance head (Fig. 2)

- The appliance head (3) is fastened to the container (6) by the locking hook (5). To remove the appliance head (3), open the locking hook (5) and remove the appliance head (3). When fitting the appliance head (3), make sure that the locking hook (5) locks into place correctly.
- Plug the vacuum tube (8) onto the end of the suction hose (9).
- Fit the suction hose (9) onto the connection (7) and turn until securely attached.

5.2 Fitting the filter



Important!

Never use the ash vacuum without the filter!
Always ensure that the filters are perfectly secure.

Assembly / disassembly of the filter (Fig.6)

Push the cartridge filter (10) onto the appliance head (3)
Disassemble the filter in the reverse order.

6. Operation

6.1 ON/OFF switch (Fig. 1)

Press the ON/OFF switch (2) to switch the equipment ON and OFF.

6.2 Vacuuming (Fig. 4)

Connect the suction hose (9) to the suction hose connector (7)



Important!

The ash vacuum cleaner is not suitable for the vacuuming of combustible materials!

6.3 Blowing (Fig. 7-8)

Connect the suction hose (9) to the blow connector (11).

6.4 Filling level indicator (Fig. 1/9)

The ash vacuum is fitted with a filling level indicator (4). If the filling level indicator (4) shows a red bar, tank contents and filter should be emptied or cleaned. The red bar indicates severe soiling of the filter; this can also be when the tank is not yet full. You must then tap on the filter to clear it again.

7. Cleaning, maintenance and ordering of spare parts



Important!

Always pull out the mains power plug before starting any cleaning work.

7.1 Cleaning



Keep all safety devices, air vents and the motor housing free of dirt and dust as far as possible.



We recommend that you clean the appliance immediately after you use it.

7.2 Cleaning the appliance head (3)

Clean the appliance regularly with a damp cloth and some soft soap. Do not use cleaning agents or solvents; these may be aggressive to the plastic parts in the appliance.

7.3 Cleaning the container (6)

The container can be cleaned with a damp cloth and some soft soap or under running water, depending on the amount of dirt.

7.4 Cleaning the filter (Fig. 6)

Clean the cartridge filter (10) e.g. by tapping and brushing or by blowing out with compressed air at low pressure.

7.5 Servicing

At regular intervals and before each use, check that the filters in the ash vacuum are securely fitted.

7.6. Ordering spare parts

Please provide the following information on all orders for spare parts:

- Model/type of the appliance
- Part number of the required spare part

8. Disposal and recycling



The appliance is supplied in packaging to prevent its being damaged in transit. This packaging is raw material and can therefore be reused or can be returned to the raw material system. The appliance and its accessories are made of various types of material, such as metal and plastic. Defective components must be disposed of as special waste. Ask your dealer or your local council.

9. Warranty

We guarantee this product for 2 full years.

The warranty period for this item starts on the day of purchase. You can prove the date of purchase by sending us the original receipt.

We insure over the entire warranty period:

- Free repair of possible malfunctions.
- Free replacement of damaged parts.
- Including the free service of our specialized personnel (i.e. free assembly by our technicians)

Provided that the damage is not due to improper use of the device.

To help you with your product, we invite you to use this link or call us on +33 (0)9 70 75 30 30:

<https://services.swap-europe.com/contact>

You must create a "ticket" via their platform:

- Register or create your account
- Indicate the reference of the tool
- Choose the subject of your request
- Explain your problem
- Attach these files: Invoice or receipt, identification plate photo (serial number), photo of the part you need (eg broken transformer plug pins)

